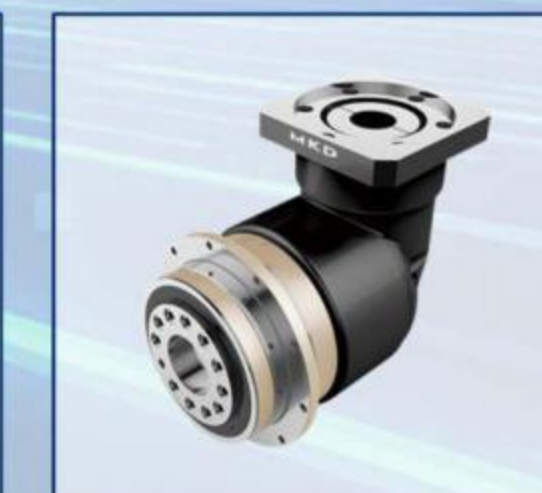
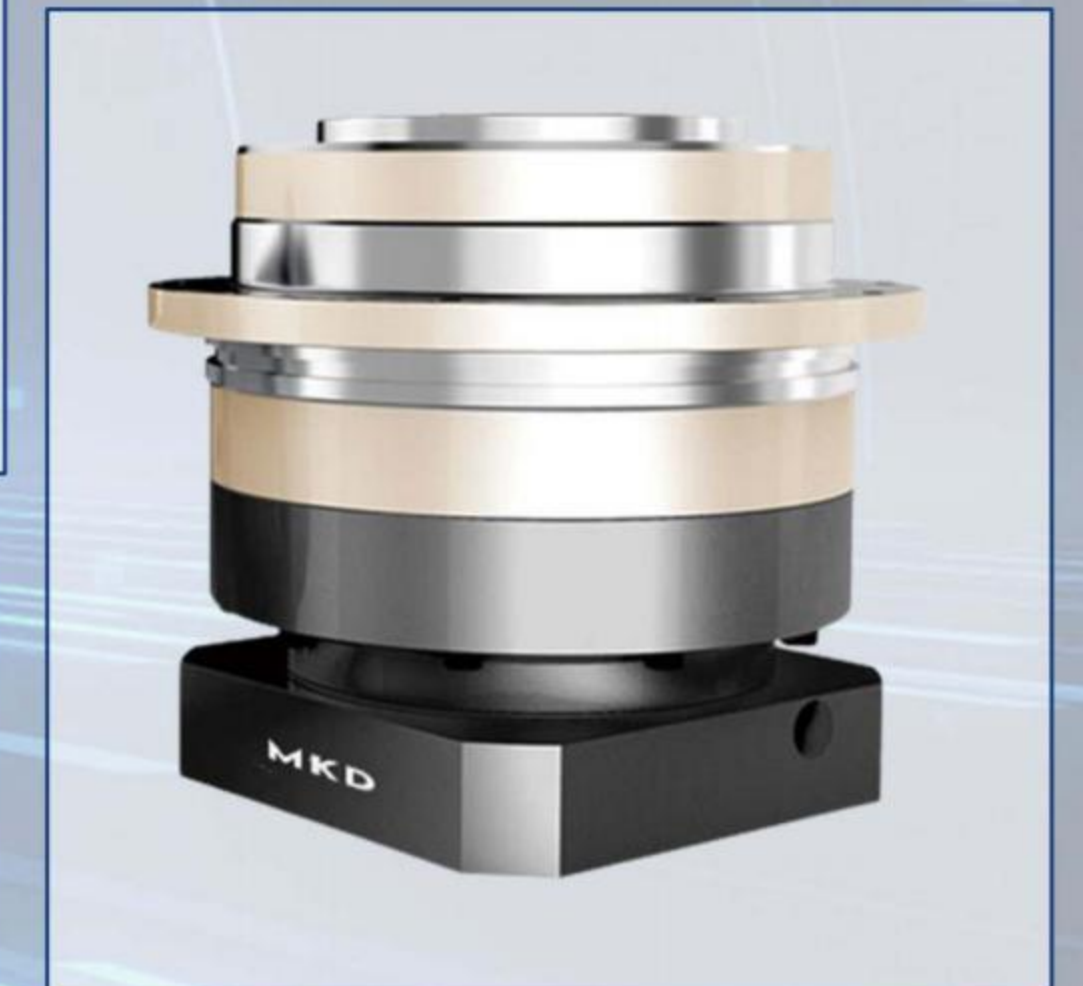
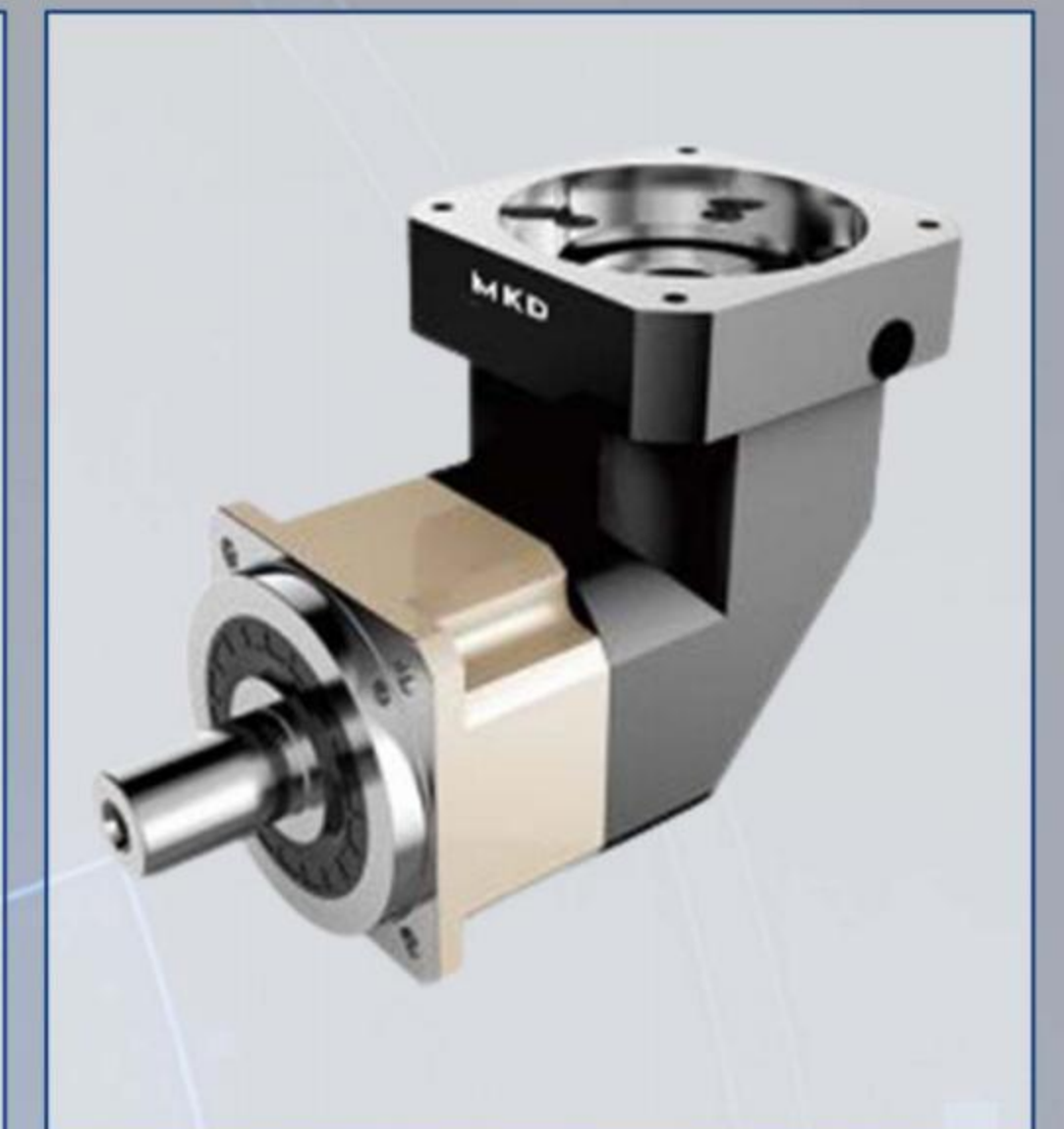
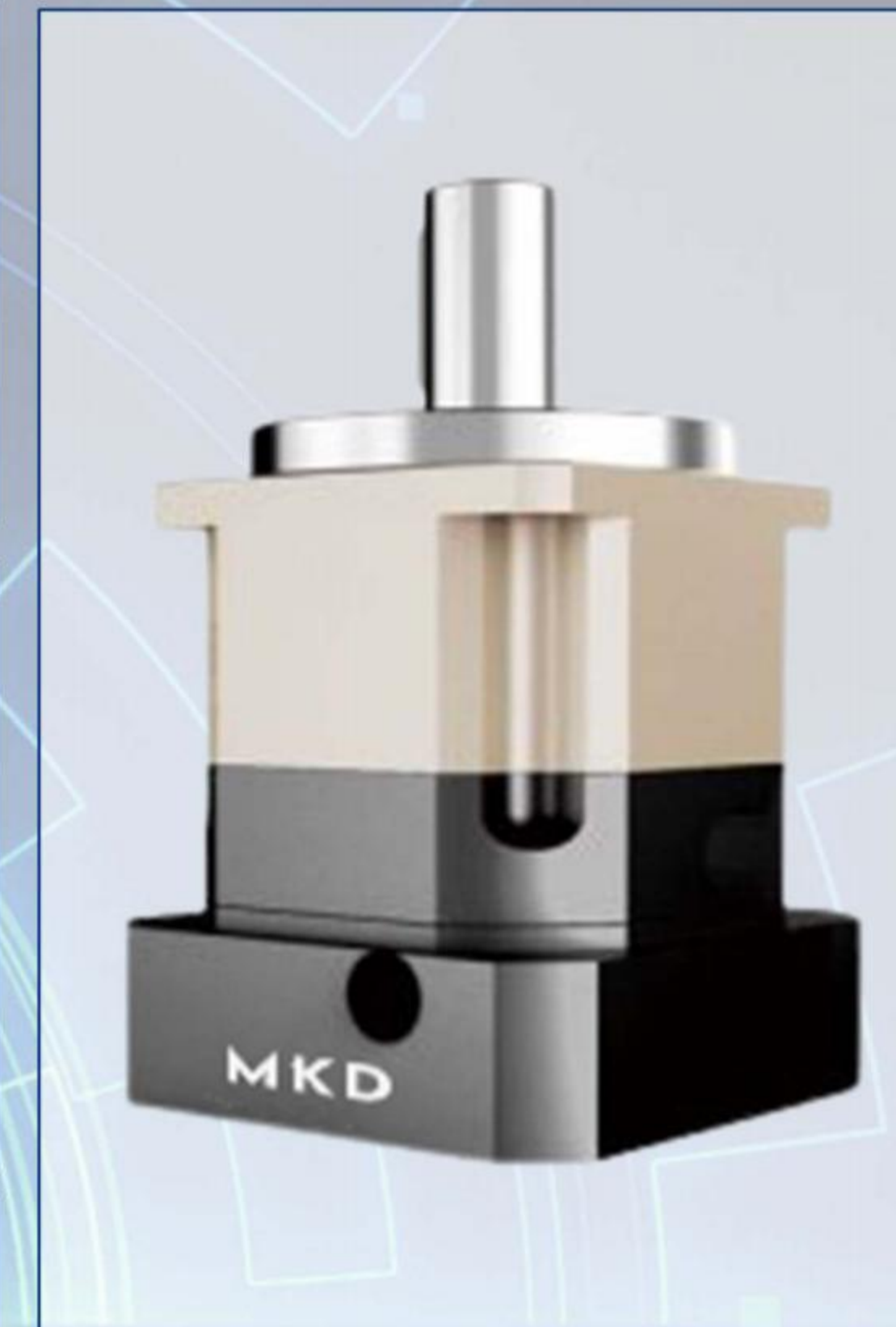
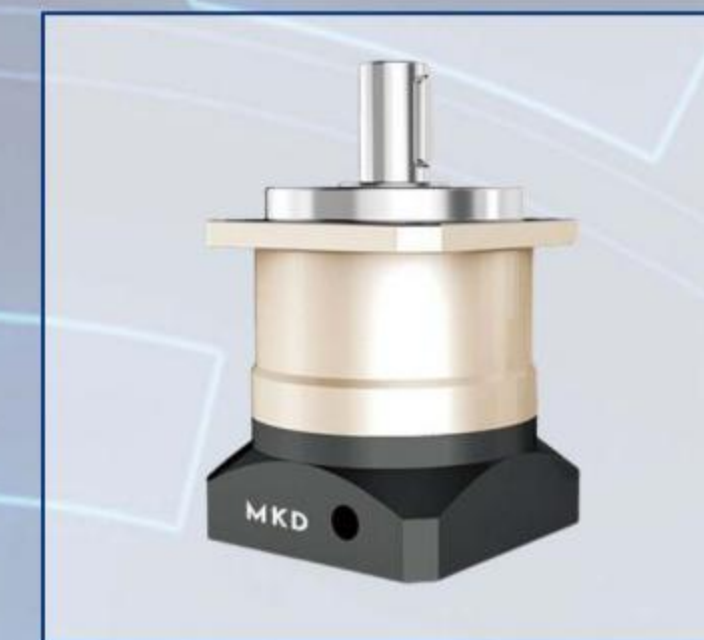
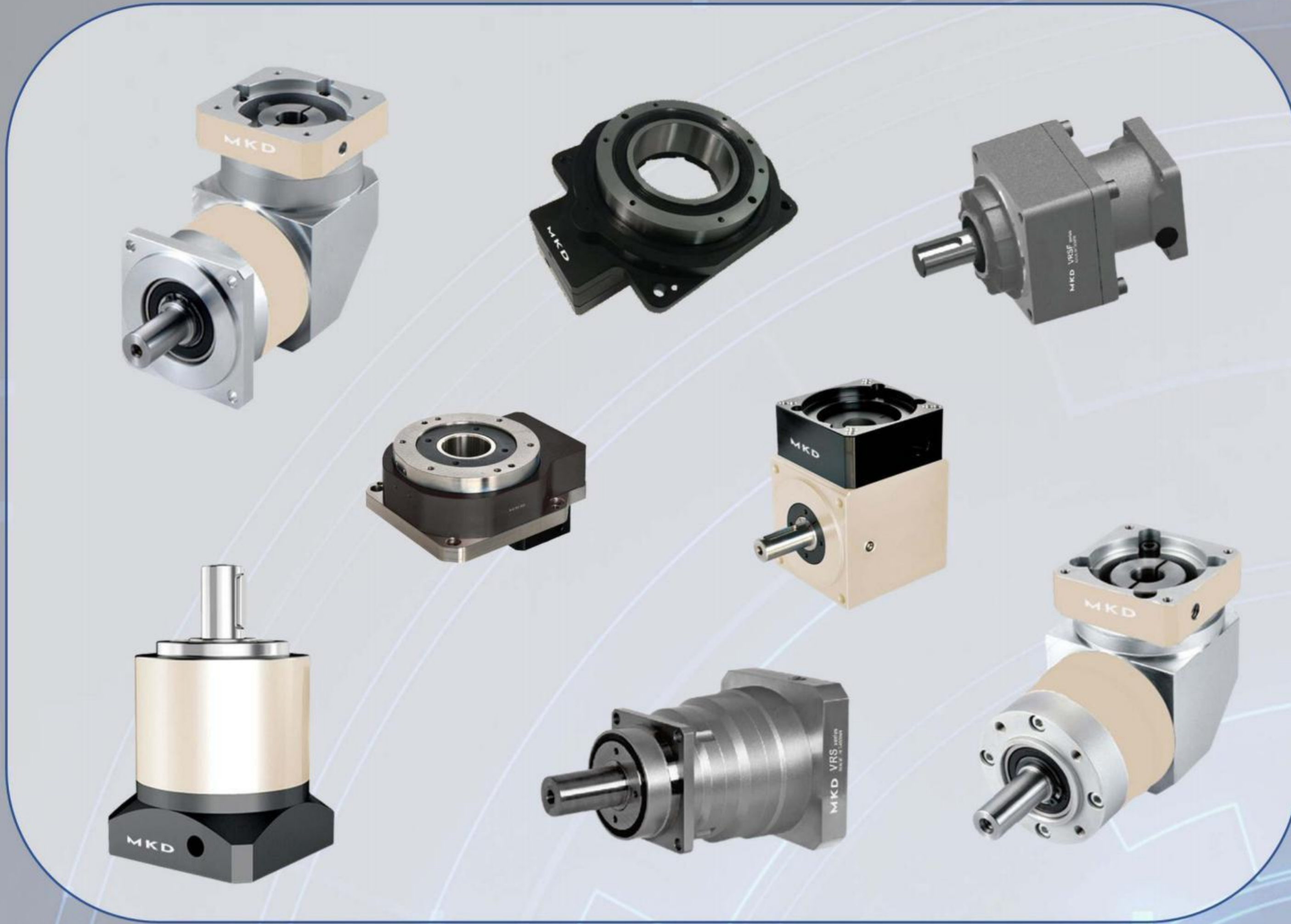


For stepper / servo motor

Planetary Gearbox

Excellent technology / precision transmission solutions expert



Mekind Industrial is committed to offering you quality products
ONE-STOP MOTION CONTROL SOLUTION EXPERT
Specializing in R & D and production of various precision
planetary gear transmission products
Click <https://mkdsh.com> for more information



Headquarters

Shanghai Mekind Industrial Co., Limited
Add.: No.158, Kaile Road, Jinshang District, Shanghai, China
Tel: + 86 131 6621 9128
Email: info@mkdsh.com
Web.: <https://mkdsh.com>

International Department

Sales Manager : Linda Zhang
Mob.: +86 1316618 0210 (whatsapp/skype/wechat)
Email: gearbox@mkdsh.com

Domestic Department

Zhejiang Office
Add. Room 516, Zhongqing Building, No. 68 Kangqiao Road,
Hangzhou, Zhejiang Province
Tel: +86-571-85278905 Fax: +86-571-85278905

Tianjin Office

Add.: No. 218, Building 6, hardware city, Nankai district,
Tianjin province
Tel: +862286709632

Guangdong Office

Add. No. 138 Zhen'an Road, Dongguan city, Guangdong province.
Tel: +86-755-23432659 Fax: +86-755-23432659

Shandong Office

Add.: Room 128, Lego international building, Huayuan east road,
Jinan city.
Tel.: +86-531-86956332 Fax.: +86-531-86956332



Shanghai Mekind Industrial Co., Limited

COMPANY PROFILE

Shanghai Mekind Industrial Co., Limited. (Hereinafter referred to as MKD) is a professional manufacturer in the field of motion control products, which integrates R & D, manufacturing and sales as a whole. The MKD company's R&D team and factory colleagues have more than 20 years of gear design and manufacturing experience and have the core technology of this field and advanced processing equipment. In the early stage, the factory mainly produced worm gear reducers, UDL step-less speed changer, helical gear reducers, hypoid gear reducers, K, R, F, S series hard gear reducers, and PC helical gear reducers. The company is far-sighted and has laid out the company's future development direction in advance. In the mid-term, MKD cooperated with the German reducer technical team to establish a precision gearbox division to cooperate in the development of high-level high-precision gear reducers, including planetary reducers and harmonic reducers (American genius inventor C W.Musser created and invented the principle of wave gear device), 90-degree right-angle servo gearbox (suitable for different installation and output requirements of automation), cycloidal pinwheel RV reducer (suitable for multi-joint robot industry). Also, the company produces related products in the motion control field such as precision rack and pinion, coupling, linear motor, servo motor, etc. Meanwhile, MKD company also provide non-standard customized reducer services. The precision planetary reducer produced by the MKD company has three characteristics of low backlash (3 ~ 8 arcmin), low noise (60dAB), and high efficiency (>=95%). The size and accuracy are fully matched with Japanese and German reducers, and can directly replace German and Japanese brand reducers. The products are suitable for servo motors and stepper motors produced by domestic and foreign servo factories, such as Panasonic, Yaskawa, Omron, Mitsubishi, Schneider, Delta, Siemens, MOOG, Beckhoff, Festo, Leadshine, etc. Our company's precision reducers are widely used in laser cutting machines, woodworking engraving machines, gantry machine tools, industrial robots, 3C automation, plastic machinery, three-dimensional parking lots, photovoltaic equipment, automobile manufacturing, lithium batteries, milling machines, full servo tissue machinery, precision embossing Printing machines, servo pipe benders, precision coating machines, CNC spring machines, and other highly automated equipment.

The MKD factory matches a large inventory of standard gearboxes and flanges suitable for different motor input sizes, which can achieve the fastest delivery time of 7~10 working days, saving customers costs in terms of time.

MKD company's products have passed the ISO9001: 2015 quality management system, the European CE certification, and the US UL certification. The products have been sold to more than 100 countries at home and abroad, and have been widely recognized and repurchased by European and American customers who have high-quality requirements.

MKD company is committed to the field of motion control, working with servo motor manufacturers and system integrators to serve the global automation industry and robotics, providing customers with high-quality products, timely and fast services, and striving to be a leader in the transmission field. Your satisfaction is our eternal pursuit.



PRODUCTION WORKSHOP



FAST DELIVERY TIME
CUSTOMIZED SERVICE IS AVAILABLE
COMPETITIVE PRICE WITH TOP QUALITY



ALTERNATIVES TO BRAND SPEED REDUCERS
ALL-ROUND PROFESSIONAL TECHNICAL SUPPORT
BROAD RANGE OF SPEED REDUCERS FOR SELECTION

CONTENTS

VRB

High Precision Planetary Gearbox

VRB series



06-09

VRL

High Precision Planetary Gearbox

VRL series



10-13

MAB

High Precision High Torque Planetary Gearbox

MAB series



14-17

MAR

Precision Right Angle Planetary Gearbox

MAR series



18-21

MLF

Standard Planetary Gearbox

MLF series



22-25

MLE

Standard Planetary Gearbox

MLE series



26-29

MAD

High Precision Flange-output Gearbox

MAD series



30-34

MADR

High Precision Right Angle Flange-output Planetary Gearbox

MADR series



35-39

MAF

Standard Planetary Gearbox

MAF series



40-43

VRS

High Torque High Precision Planetary Gearbox

VRS series



44-47

MFR

Precision Right Angle Planetary Gearbox

MFR series



48-51

MER

Precision Right Angle Planetary Gearbox

MER series



52-55

VRSF

Precision Planetary Gearbox

VRSF series



56-59

ZR

Precision Right Angle Gearbox

ZR series



60-64

MD

Hollow Rotary Actuator

MD series



65-76

DG

Hollow Rotary Actuator

DG series



77-80

Product Application Industry

Semiconductor liquid crystal manufacturing equipment, robots, machine tools, and other frontier areas requiring precision motion control are widely used.

<p>The walking shaft of a robot (rack and pinion)</p>	<p>Gantry robot of machine tool</p>	<p>Horizontal multi-joint robot</p>	<p>Wafer handling robot</p>
<p>Stamping equipment (riveting)</p>	<p>Pipe bending machine</p>	<p>Injection mold taken-out robot</p>	<p>Rotary tower knife frame rotation of machine tool</p>
<p>The XY axis of machine tool</p>	<p>Indexing table drive</p>	<p>Roller drive for daubing use</p>	<p>Pulley for loader use</p>
<p>Shaft input belt drive</p>	<p>Liquid crystal glass substrate handling robot</p>	<p>Tensile testing machine</p>	<p>Roof walking van</p>

<p>Unmanned vehicle</p>	<p>Robot for working in height</p>	<p>Roll up</p>
<p>Rotate</p>	<p>Transport</p>	<p>Angle (positioning) control</p>
<p>Two axis control (XY workbench)</p>	<p>Roller drive</p>	
<p>Pipe bending machine</p>	<p>Punching (riveting)</p>	<p>Printed circuit board inspection device</p>



Harmonic Reducer

Planetary Gearbox

AAW precision type
 AAT(M)070AS-AAT(M)320AS series
 AAW070AS-AAW320AS(BS) series

PT/PAW standard type
 PT070A-PT180B series
 PAW055A-PAW180A(B) series



**90 Degree
 Right Angle Precision Gearbox**

Screw synchronous lift
 Multiple output-shaft types
 Reduction ratio 1/1~1/250
 Suitable for servo motor / stepper motor
 Applicable capacity 100W~15KW



Mekind Industrial is committed to offering you quality products
ONE-STOP MOTION CONTROL SOLUTION EXPERT
 Specializing in R & D and production of various precision
 planetary gear transmission products
 Click <https://mkdsh.com> for more information



Headquarters
 Shanghai Mekind Industrial Co., Limited
 Add.: No.158, Kaile Road, Jinshang District, Shanghai, China
 Tel: + 86 131 6621 9128
 Email: info@mkdsh.com
 Web.: <https://mkdsh.com>

International Department
 Sales Manager Linda Zhang
 Mob.: +86 1316618 0210 (whatsapp/skype/wechat)
 Email: gearbox@mkdsh.com

Domestic Department
Zhejiang Office
 Add. Room 516, Zhongqing Building, No. 68 Kangqiao Road,
 Hangzhou, Zhejiang Province
 Tel: +86-571-85278905 Fax: +86-571-85278905

Guangdong Office
 Add. No. 138 Zhen'an Road, Dongguan city, Guangdong province.
 Tel: +86-755-23432659 Fax: +86-755-23432659

Tianjin Office
 Add.: No. 218, Building 6, hardware city, Nankai district,
 Tianjin province
 Tel: +862286709632

Shandong Office
 Add.: Room 128, Lego international building, Huayuan east road,
 Jinan city.
 Tel.: +86-531-86956332 Fax.: +86-531-86956332



AT/ATF universal type
 AT065-AT280 series
 ATF065-ATF280 series



Shanghai Mekind Industrial Co., Limited

COMPANY PROFILE

Shanghai Mekind Industrial Co., Limited. (Hereinafter referred to as MKD) is a professional manufacturer in the field of motion control products, which integrates R & D, manufacturing and sales as a whole. The MKD company's R&D team and factory colleagues have more than 20 years of gear design and manufacturing experience and have the core technology of this field and advanced processing equipment. In the early stage, the factory mainly produced worm gear reducers, UDL step-less speed changer, helical gear reducers, hypoid gear reducers, K, R, F, S series hard gear reducers, and PC helical gear reducers. The company is far-sighted and has laid out the company's future development direction in advance. In the mid-term, MKD cooperated with the German reducer technical team to establish a precision gearbox division to cooperate in the development of high-level high-precision gear reducers, including planetary reducers and harmonic reducers (American genius inventor C W.Musser created and invented the principle of wave gear device), 90-degree right-angle servo gearbox (suitable for different installation and output requirements of automation), cycloidal pinwheel RV reducer (suitable for multi-joint robot industry). Also, the company produces related products in the motion control field such as precision rack and pinion, coupling, linear motor, servo motor, etc. Meanwhile, MKD company also provide non-standard customized reducer services. The precision planetary reducer produced by the MKD company has three characteristics of low backlash (3 ~ 8 arcmin), low noise (60dAB), and high efficiency (>=95%). The size and accuracy are fully matched with Japanese and German reducers, and can directly replace German and Japanese brand reducers. The products are suitable for servo motors and stepper motors produced by domestic and foreign servo factories, such as Panasonic, Yaskawa, Omron, Mitsubishi, Schneider, Delta, Siemens, MOOG, Beckhoff, Festo, Leadshine, etc. Our company's precision reducers are widely used in laser cutting machines, woodworking engraving machines, gantry machine tools, industrial robots, 3C automation, plastic machinery, three-dimensional parking lots, photovoltaic equipment, automobile manufacturing, lithium batteries, milling machines, full servo tissue machinery, precision embossing Printing machines, servo pipe benders, precision coating machines, CNC spring machines, and other highly automated equipment.

The MKD factory matches a large inventory of standard gearboxes and flanges suitable for different motor input sizes, which can achieve the fastest delivery time of 7~10 working days, saving customers costs in terms of time.

MKD company's products have passed the ISO9001: 2015 quality management system, the European CE certification, and the US UL certification. The products have been sold to more than 100 countries at home and abroad, and have been widely recognized and repurchased by European and American customers who have high-quality requirements.

products, timely and fast services, and striving to be a leader in the transmission field. Your satisfaction is our eternal pursuit.



PRODUCTION WORKSHOP



FAST DELIVERY TIME
CUSTOMIZED SERVICE IS AVAILABLE
COMPETITIVE PRICE WITH TOP QUALITY



ALTERNATIVES TO BRAND SPEED REDUCERS
ALL-ROUND PROFESSIONAL TECHNICAL SUPPORT
BROAD RANGE OF SPEED REDUCERS FOR SELECTION

CONTENTS

AT

Shaft Input Steering Gearbox

AT-series



01 - 08

AT-F

Flange Input 90 Degree Reducer

AT-F series



09 - 24

PAW-A(B)

Standard Type 90 Degree Reducer

PAW-A(B) series



25 - 32

PT

Standard Type Steering Gearbox

PT series

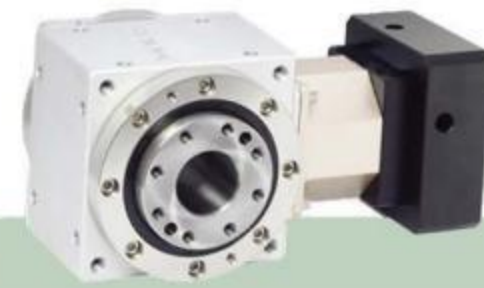


33 - 37

AAW-AS(BS)

Precision Type 90 Degree Reducer

AAW-AS(BS) series



39 - 47

AAW-BS

90 Degree Screw Reducer

AAW-BS series

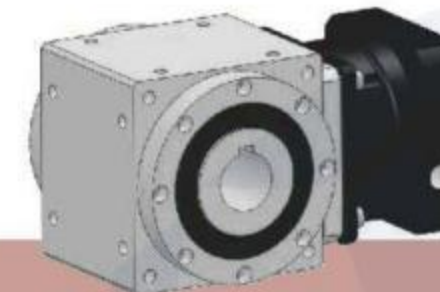


48

AATM

Precision Type Steering Gearbox

AATM series



49 - 53

AAT

Precision Type Steering Gearbox

AAT series

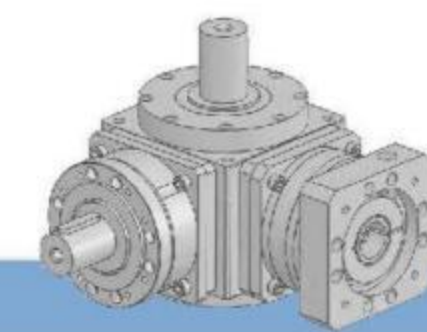


54 - 56

AATM-2AX

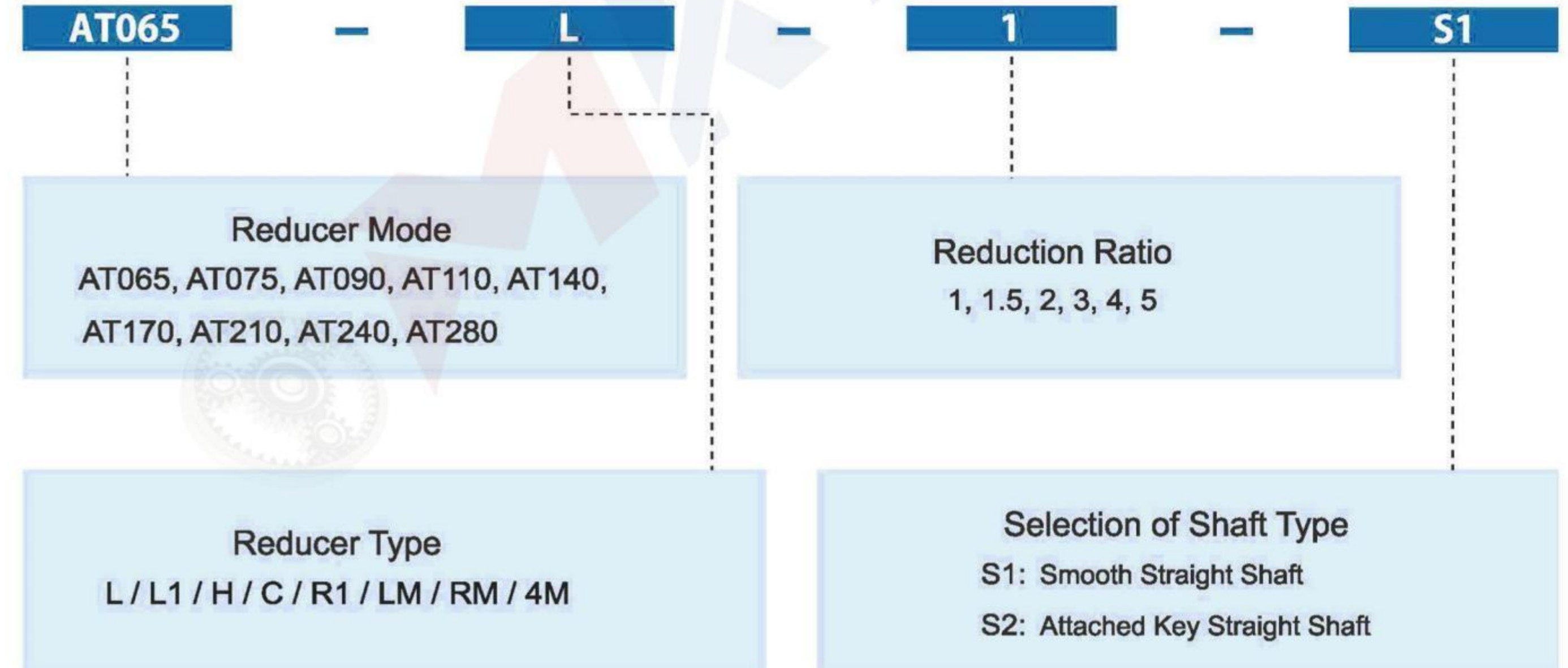
90 Degree Two Shaft Steering Gearbox

AATM-2AX

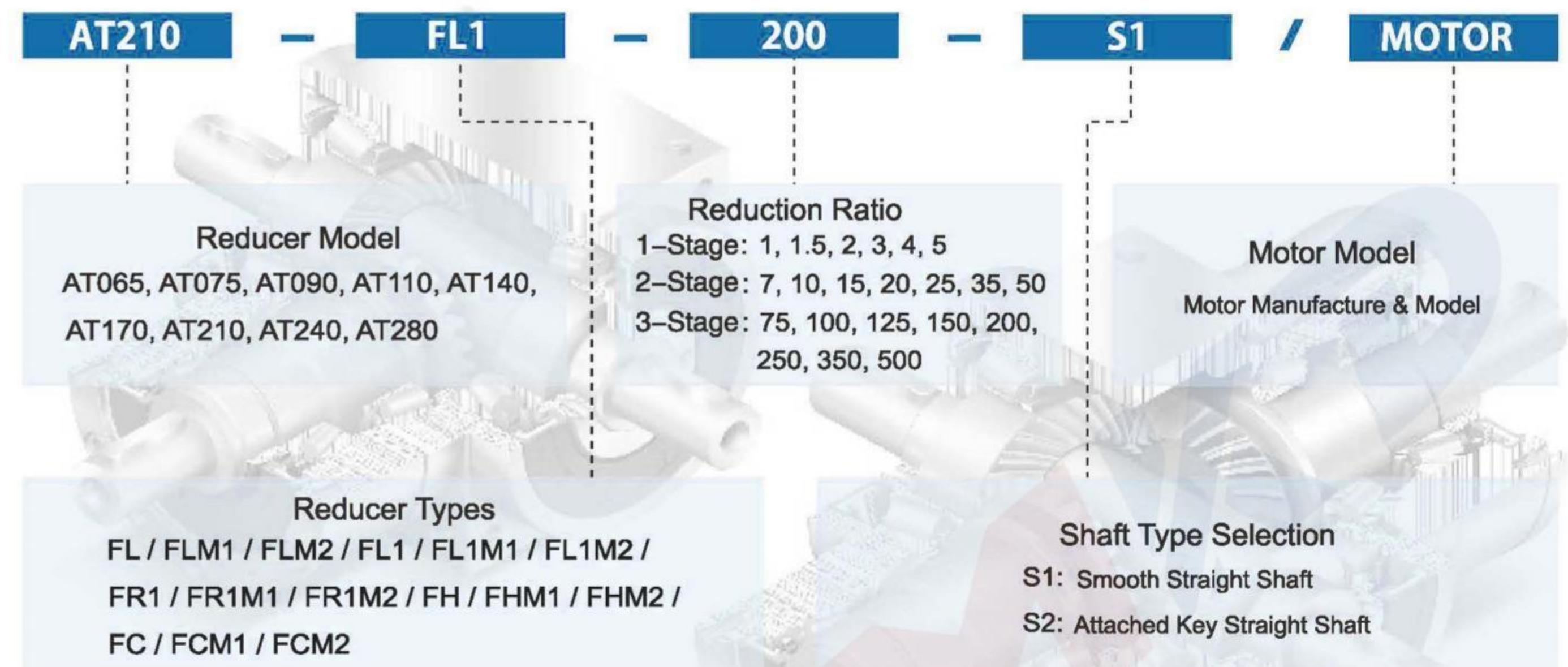


59 - 60

Purchase of Reducer



Selection Example : AT065-L-1-S1



Selection Example : AT210-FL1-200-S1 / SIEMENS 1FK6 032-6AK71

RV Reducer & Harmonic Gearbox



90 Degree Right Angle Gearbox

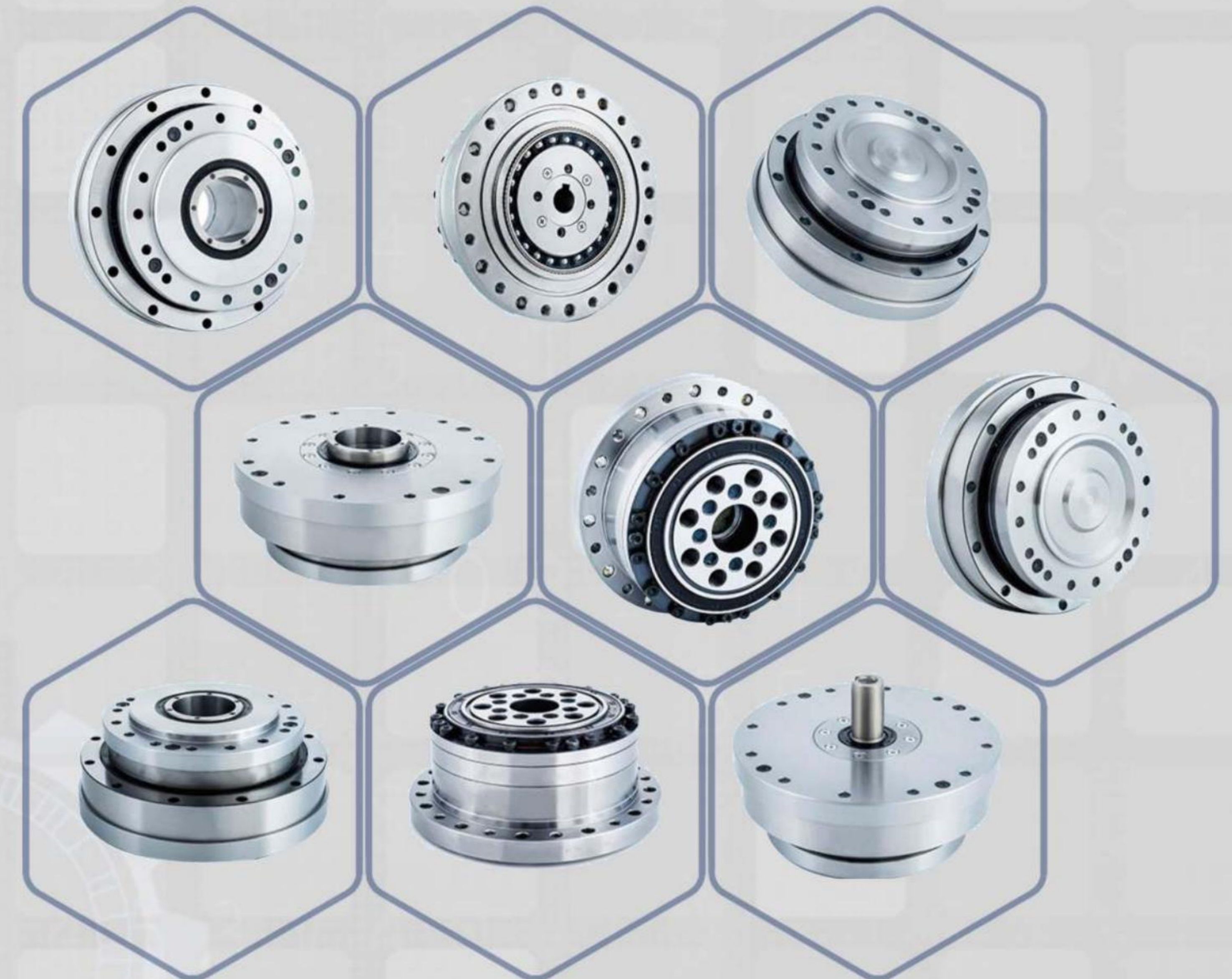
Planetary Gearbox



Stepper/servo motor driving (for robot industry)

Harmonic Reducer

High cost-effective/perfectly match and replace the sizes of Japanese harmonic reducers



Mekind Industrial is committed to offering you quality products
ONE-STOP MOTION CONTROL SOLUTION EXPERT
Specializing in R & D and production of various precision
planetary gear transmission products
Click <https://mkdsh.com> for more information



Headquarters

Shanghai Mekind Industrial Co., Limited
Add.: No.158, Kaile Road, Jinshang District, Shanghai, China
Tel: + 86 131 6621 9128
Email: info@mkdsh.com
Web.: <https://mkdsh.com>

International Department

Sales Manager Linda Zhang
Mob.: +86 1316618 0210 (whatsapp/skype/wechat)
Email: gearbox@mkdsh.com

Domestic Department

Zhejiang Office
Add. Room 516, Zhongqing Building, No. 68 Kangqiao Road,
Hangzhou, Zhejiang Province
Tel: +86-571-85278905 Fax: +86-571-85278905

Guangdong Office

Add. No. 138 Zhen'an Road, Dongguan city, Guangdong province.
Tel: +86-755-23432659 Fax: +86-755-23432659

Tianjin Office

Add.: No. 218, Building 6, hardware city, Nankai district,
Tianjin province
Tel: +862286709632

Shandong Office

Add.: Room 128, Lego international building, Huayuan east road,
Jinan city.
Tel: +86-531-86956332 Fax: +86-531-86956332



Shanghai Mekind Industrial Co., Limited

COMPANY PROFILE

Shanghai Mekind Industrial Co., Limited. (Hereinafter referred to as MKD) is a professional manufacturer in the field of motion control products, which integrates R & D, manufacturing and sales as a whole. The MKD company's R&D team and factory colleagues have more than 20 years of gear design and manufacturing experience and have the core technology of this field and advanced processing equipment. In the early stage, the factory mainly produced worm gear reducers, UDL step-less speed changer, helical gear reducers, hypoid gear reducers, K, R, F, S series hard gear reducers, and PC helical gear reducers. The company is far-sighted and has laid out the company's future development direction in advance. In the mid-term, MKD cooperated with the German reducer technical team to establish a precision gearbox division to cooperate in the development of high-level high-precision gear reducers, including planetary reducers and harmonic reducers (American genius inventor C W.Musser created and invented the principle of wave gear device), 90-degree right-angle servo gearbox (suitable for different installation and output requirements of automation), cycloidal pinwheel RV reducer (suitable for multi-joint robot industry). Also, the company produces related products in the motion control field such as precision rack and pinion, coupling, linear motor, servo motor, etc. Meanwhile, MKD company also provide non-standard customized reducer services. The precision planetary reducer produced by the MKD company has three characteristics of low backlash (3 ~ 8 arcmin), low noise (60dAB), and high efficiency (>=95%). The size and accuracy are fully matched with Japanese and German reducers, and can directly replace German and Japanese brand reducers. The products are suitable for servo motors and stepper motors produced by domestic and foreign servo factories, such as Panasonic, Yaskawa, Omron, Mitsubishi, Schneider, Delta, Siemens, MOOG, Beckhoff, Festo, Leadshine, etc. Our company's precision reducers are widely used in laser cutting machines, woodworking engraving machines, gantry machine tools, industrial robots, 3C automation, plastic machinery, three-dimensional parking lots, photovoltaic equipment, automobile manufacturing, lithium batteries, milling machines, full servo tissue machinery, precision embossing Printing machines, servo pipe benders, precision coating machines, CNC spring machines, and other highly automated equipment.

The MKD factory matches a large inventory of standard gearboxes and flanges suitable for different motor input sizes, which can achieve the fastest delivery time of 7~10 working days, saving customers costs in terms of time.

MKD company's products have passed the ISO9001: 2015 quality management system, the European CE certification, and the US UL certification. The products have been sold to more than 100 countries at home and abroad, and have been widely recognized and repurchased by European and American customers who have high-quality requirements.

products, timely and fast services, and striving to be a leader in the transmission field. Your satisfaction is our eternal pursuit.



Low noise internal helical gear design

High Precision Customized Service

Innovative R&D Quality Assurance

Professional Processing 20 Years of Experience

CONTENTS

PAGES

Technical Data

06-19

CSG/CSF Series



20-35

SHG/SHF Series



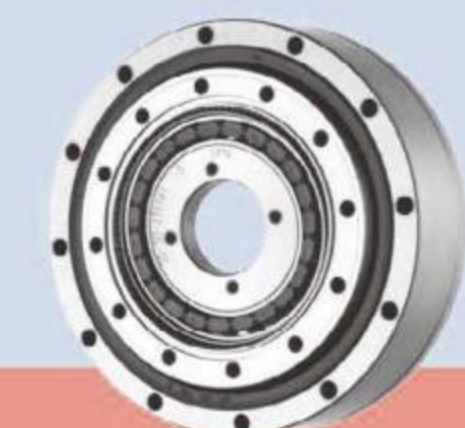
36-56

CSD Series



57-64

SHD Series



65-73

RV Reducer & Harmonic Gearbox



90 Degree Right Angle Gearbox

Planetary Gearbox



Stepper/servo motor driving (for robot industry)

Cycloidal pin-Wheel RV Reducer

High cost-effective/perfectly match and replace the sizes of Japanese harmonic reducers



Mekind Industrial is committed to offering you quality products
ONE-STOP MOTION CONTROL SOLUTION EXPERT
Specializing in R & D and production of various precision
planetary gear transmission products
Click <https://mkdsh.com> for more information



Headquarters

Shanghai Mekind Industrial Co., Limited
Add.: No.158, Kaile Road, Jinshang District, Shanghai, China
Tel: + 86 131 6621 9128
Email: info@mkdsh.com
Web.: <https://mkdsh.com>

International Department

Sales Manager Linda Zhang
Mob.: +86 1316618 0210 (whatsapp/skype/wechat)
Email: gearbox@mkdsh.com

Domestic Department

Zhejiang Office
Add. Room 516, Zhongqing Building, No. 68 Kangqiao Road,
Hangzhou, Zhejiang Province
Tel: +86-571-85278905 Fax: +86-571-85278905

Guangdong Office

Add. No. 138 Zhen'an Road, Dongguan city, Guangdong province.
Tel: +86-755-23432659 Fax: +86-755-23432659

Tianjin Office

Add.: No. 218, Building 6, hardware city, Nankai district,
Tianjin province
Tel: +862286709632

Shandong Office

Add.: Room 128, Lego international building, Huayuan east road,
Jinan city.
Tel.: +86-531-86956332 Fax.: +86-531-86956332



Shanghai Mekind Industrial Co., Limited

COMPANY PROFILE

Shanghai Mekind Industrial Co., Limited. (Hereinafter referred to as MKD) is a professional manufacturer in the field of motion control products, which integrates R & D, manufacturing and sales as a whole. The MKD company's R&D team and factory colleagues have more than 20 years of gear design and manufacturing experience and have the core technology of this field and advanced processing equipment. In the early stage, the factory mainly produced worm gear reducers, UDL step-less speed changer, helical gear reducers, hypoid gear reducers, K, R, F, S series hard gear reducers, and PC helical gear reducers. The company is far-sighted and has laid out the company's future development direction in advance. In the mid-term, MKD cooperated with the German reducer technical team to establish a precision gearbox division to cooperate in the development of high-level high-precision gear reducers, including planetary reducers and harmonic reducers (American genius inventor C W.Musser created and invented the principle of wave gear device), 90-degree right-angle servo gearbox (suitable for different installation and output requirements of automation), cycloidal pinwheel RV reducer (suitable for multi-joint robot industry). Also, the company produces related products in the motion control field such as precision rack and pinion, coupling, linear motor, servo motor, etc. Meanwhile, MKD company also provide non-standard customized reducer services. The precision planetary reducer produced by the MKD company has three characteristics of low backlash (3 ~ 8 arcmin), low noise (60dAB), and high efficiency (>=95%). The size and accuracy are fully matched with Japanese and German reducers, and can directly replace German and Japanese brand reducers. The products are suitable for servo motors and stepper motors produced by domestic and foreign servo factories, such as Panasonic, Yaskawa, Omron, Mitsubishi, Schneider, Delta, Siemens, MOOG, Beckhoff, Festo, Leadshine, etc. Our company's precision reducers are widely used in laser cutting machines, woodworking engraving machines, gantry machine tools, industrial robots, 3C automation, plastic machinery, three-dimensional parking lots, photovoltaic equipment, automobile manufacturing, lithium batteries, milling machines, full servo tissue machinery, precision embossing Printing machines, servo pipe benders, precision coating machines, CNC spring machines, and other highly automated equipment.

The MKD factory matches a large inventory of standard gearboxes and flanges suitable for different motor input sizes, which can achieve the fastest delivery time of 7~10 working days, saving customers costs in terms of time.

MKD company's products have passed the ISO9001: 2015 quality management system, the European CE certification, and the US UL certification. The products have been sold to more than 100 countries at home and abroad, and have been widely recognized and repurchased by European and American customers who have high-quality requirements.

products, timely and fast services, and striving to be a leader in the transmission field. Your satisfaction is our eternal pursuit.



Low noise internal helical gear design

High Precision Customized Service

Innovative R&D Quality Assurance

Professional Processing 20 Years of Experience

CONTENTS

PAGES

RV-E Series



01-16

RV-C Series



17-34

RV-EM Series



35-43

RV-CM CK, CW Series



44-66

FHA Series



67-82

FHD Series



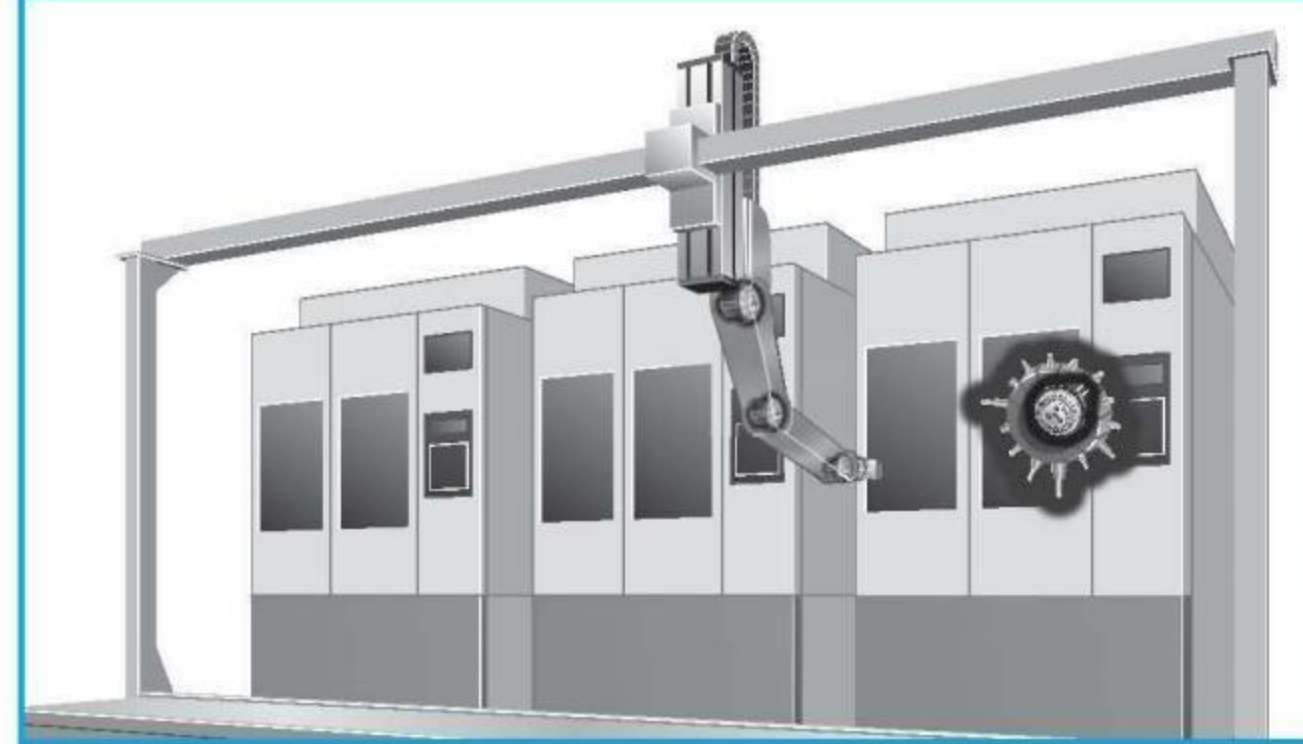
83-90

Product Application Industry

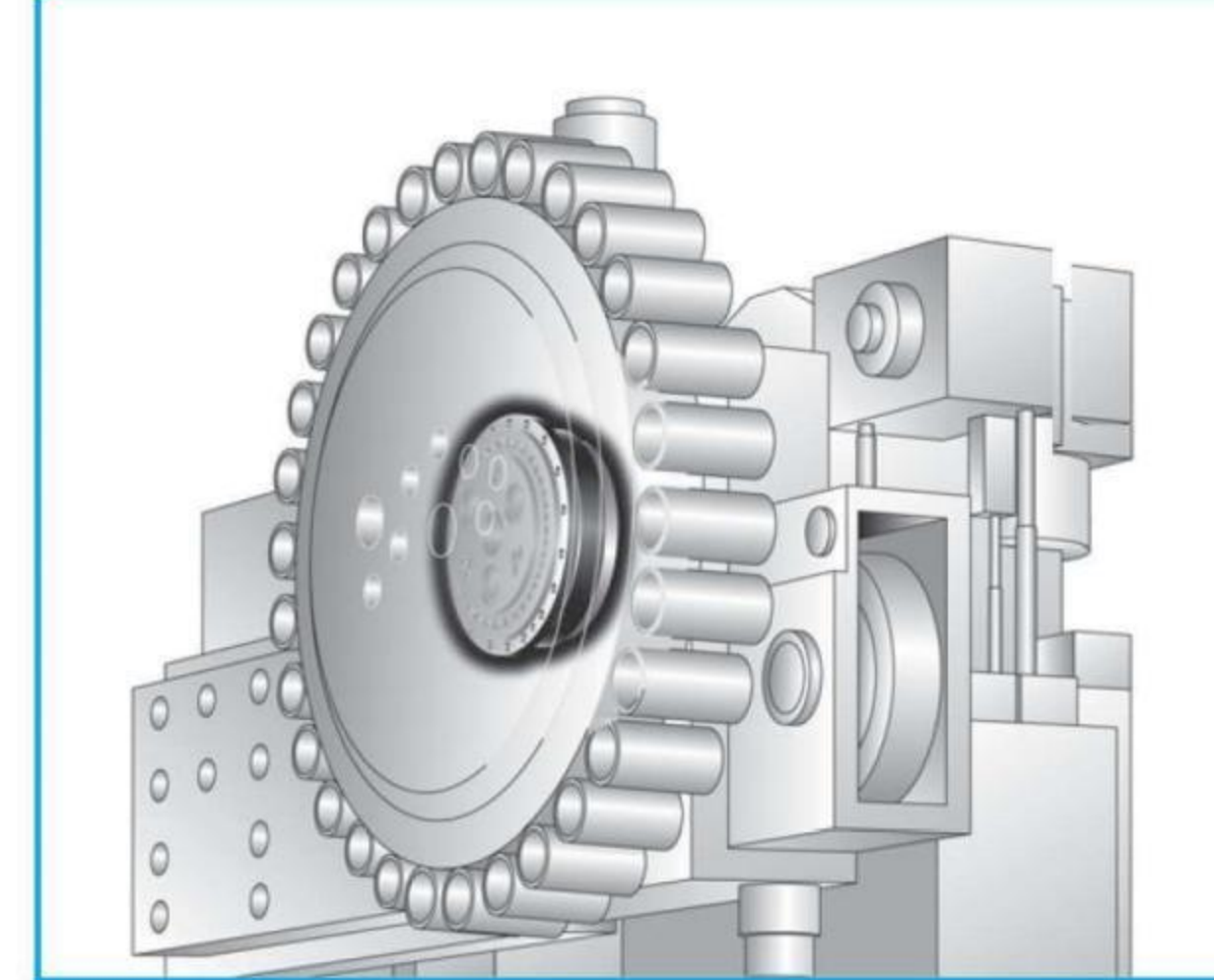
Palletizing robot / Rotary workh



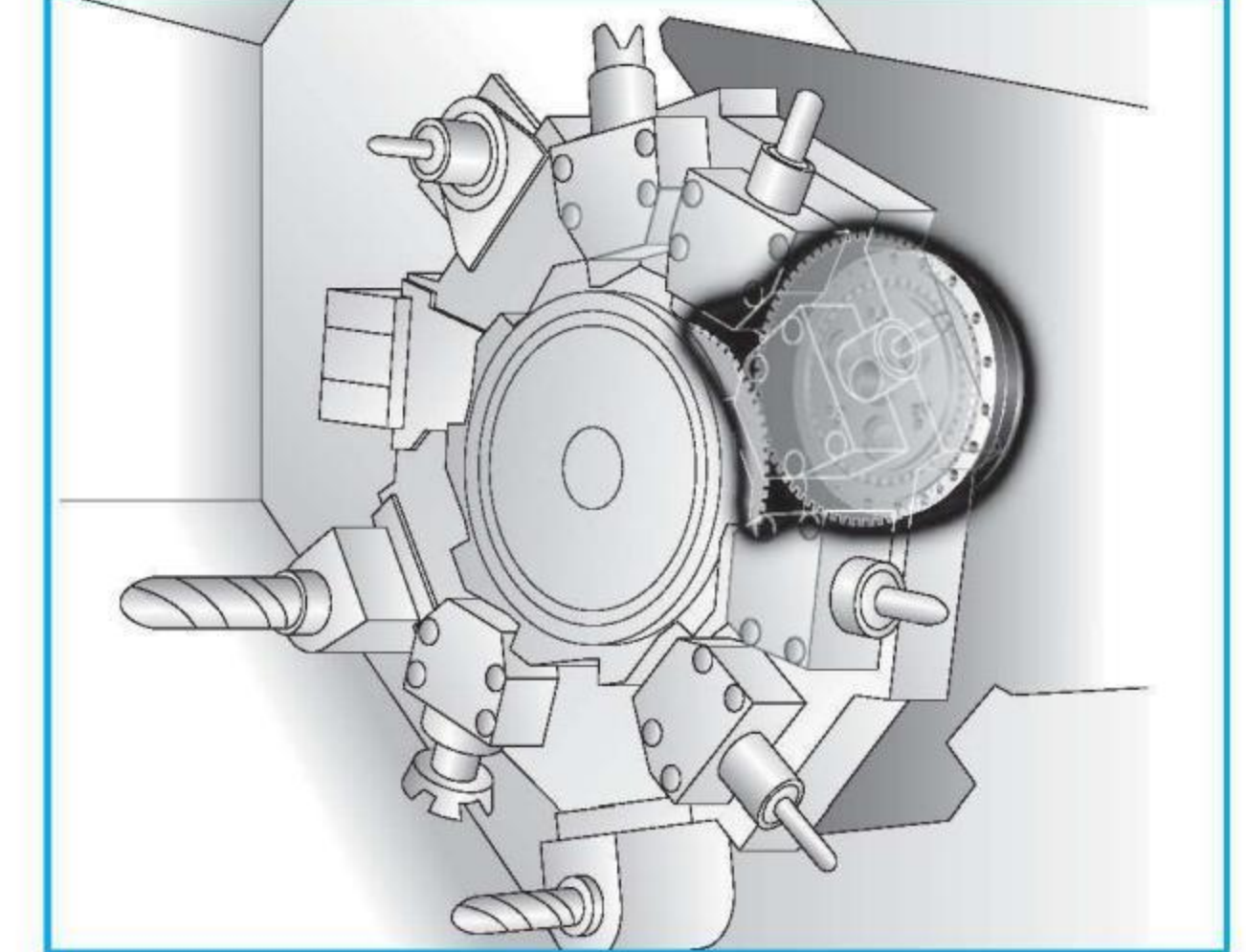
Gantry loader / ATC device



Machine tool ATC tool magazine



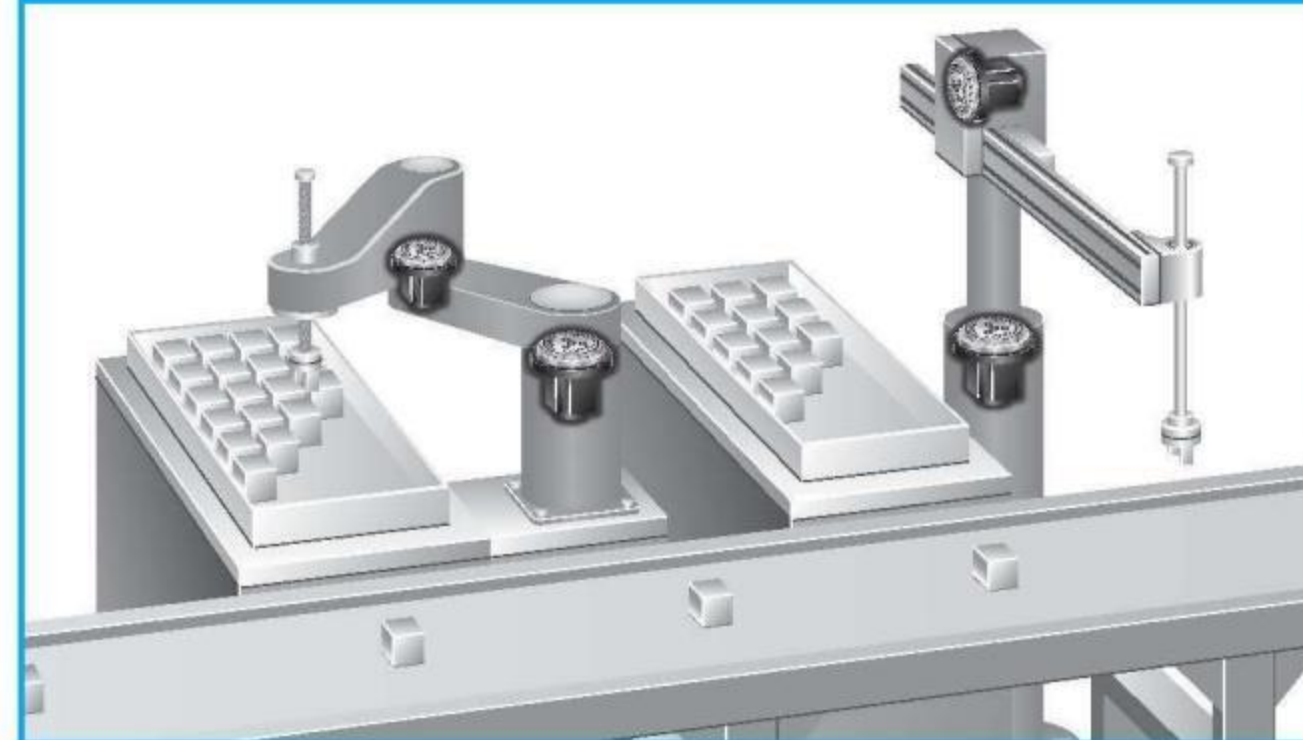
Machine tool (turret)



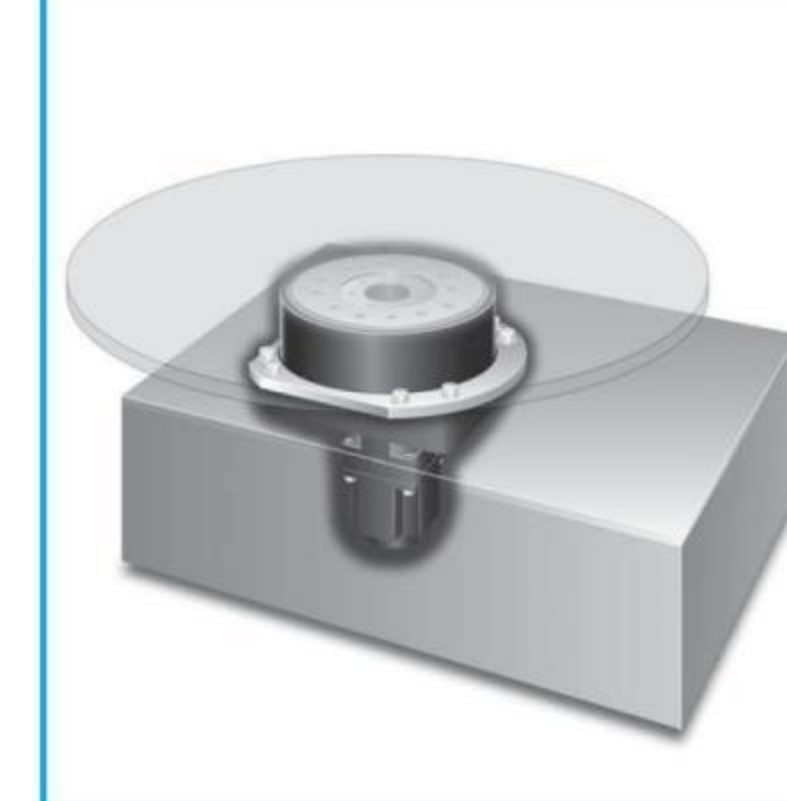
Various positioners



Horizontal multi-joint robot / Cylindrical coordinate robot



Positioning turntable (rotary axis)



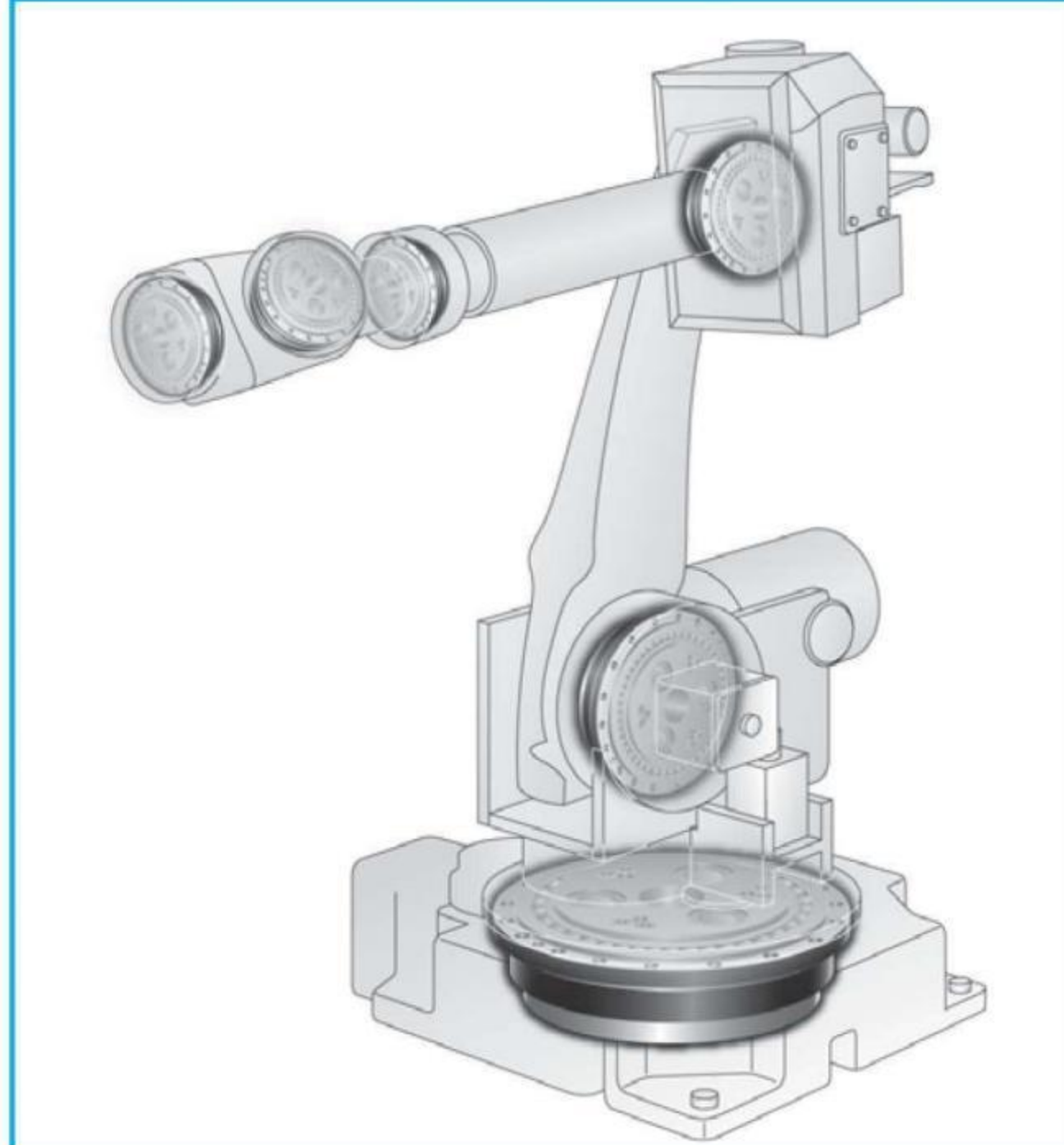
Cover switch device



ABV drive



Vertical multi-joint robot (joint axis)



SCARA robot



Medical instruments



Glass substrate and wafer rotation axis



RV Reducer & Harmonic Gearbox



90 Degree Right Angle Gearbox

Planetary Gearbox



Mekind Industrial is committed to offering you quality products
ONE-STOP MOTION CONTROL SOLUTION EXPERT
Specializing in R & D and production of various precision
planetary gear transmission products
Click <https://mkdsh.com> for more information



Headquarters

Shanghai Mekind Industrial Co., Limited
Add.: No.158, Kaile Road, Jinshang District, Shanghai, China
Tel: + 86 131 6621 9128
Email: info@mkdsh.com
Web.: <https://mkdsh.com>

Domestic Department

Zhejiang Office
Add. Room 516, Zhongqing Building, No. 68 Kangqiao Road,
Hangzhou, Zhejiang Province
Tel: +86-571-85278905 Fax: +86-571-85278905

Tianjin Office

Add.: No. 218, Building 6, hardware city, Nankai district,
Tianjin province
Tel: +862286709632

International Department

Sales Manager Linda Zhang
Mob.: +86 1316618 0210 (whatsapp/skype/wechat)
Email: gearbox@mkdsh.com

Guangdong Office

Add. No. 138 Zhen'an Road, Dongguan city, Guangdong province.
Tel: +86-755-23432659 Fax: +86-755-23432659

Shandong Office

Add.: Room 128, Lego international building, Huayuan east road,
Jinan city.
Tel: +86-531-86956332 Fax: +86-531-86956332



For servo motor / precision gearbox linear driving

SERVO.STEPPER.BRUSHLESS MOTOR

Taiwan technology/precision transmission solutions expert



Shanghai Mekind Industrial Co., Limited

COMPANY PROFILE

Shanghai Mekind Industrial Co., Limited. (Hereinafter referred to as MKD) is a professional manufacturer in the field of motion control products, which integrates R & D, manufacturing and sales as a whole. The MKD company's R&D team and factory colleagues have more than 20 years of gear design and manufacturing experience and have the core technology of this field and advanced processing equipment. In the early stage, the factory mainly produced worm gear reducers, UDL step-less speed changer, helical gear reducers, hypoid gear reducers, K, R, F, S series hard gear reducers, and PC helical gear reducers. The company is far-sighted and has laid out the company's future development direction in advance. In the mid-term, MKD cooperated with the German reducer technical team to establish a precision gearbox division to cooperate in the development of high-level high-precision gear reducers, including planetary reducers and harmonic reducers (American genius inventor C W.Musser created and invented the principle of wave gear device), 90-degree right-angle servo gearbox (suitable for different installation and output requirements of automation), cycloidal pinwheel RV reducer (suitable for multi-joint robot industry). Also, the company produces related products in the motion control field such as precision rack and pinion, coupling, linear motor, servo motor, etc. Meanwhile, MKD company also provide non-standard customized reducer services. The precision planetary reducer produced by the MKD company has three characteristics of low backlash ($3 \sim 8$ arcmin), low noise (60dAB), and high efficiency ($\geq 95\%$). The size and accuracy are fully matched with Japanese and German reducers, and can directly replace German and Japanese brand reducers. The products are suitable for servo motors and stepper motors produced by domestic and foreign servo factories, such as Panasonic, Yaskawa, Omron, Mitsubishi, Schneider, Delta, Siemens, MOOG, Beckhoff, Festo, Leadshine, etc. Our company's precision reducers are widely used in laser cutting machines, woodworking engraving machines, gantry machine tools, industrial robots, 3C automation, plastic machinery, three-dimensional parking lots, photovoltaic equipment, automobile manufacturing, lithium batteries, milling machines, full servo tissue machinery, precision embossing Printing machines, servo pipe benders, precision coating machines, CNC spring machines, and other highly automated equipment.

The MKD factory matches a large inventory of standard gearboxes and flanges suitable for different motor input sizes, which can achieve the fastest delivery time of 7~10 working days, saving customers costs in terms of time.

MKD company's products have passed the ISO9001: 2015 quality management system, the European CE certification, and the US UL certification. The products have been sold to more than 100 countries at home and abroad, and have been widely recognized and repurchased by European and American customers who have high-quality requirements.

products, timely and fast services, and striving to be a leader in the transmission field. Your satisfaction is our eternal pursuit.



Low noise internal helical gear design

High Precision Customized Service

Innovative R&D Quality Assurance

Professional Processing 20 Years of Experience

PRODUCTION WORKSHOP



FAST DELIVERY TIME

CUSTOMIZED SERVICE IS AVAILABLE

COMPETITIVE PRICE WITH TOP QUALITY



ALTERNATIVES TO BRAND SPEED REDUCERS
ALL-ROUND PROFESSIONAL TECHNICAL SUPPORT
BROAD RANGE OF SPEED REDUCERS FOR SELECTION

Product Contents

AC permanent magnet servo motor



01-12

Servo motor driver



13-15

Spindle servo motor series



17-20

Spindle Servo motor Driver



16

Hybrid stepping motor



21-29

Stepper motor driver



30-31

Coupling series



32-34

Description of Product Type Selection

Permanent magnet AC servo motor



110 SF - M 040 30 L F B Z S
 ① ② ③ ④ ⑤ ⑥ ⑦ ⑧ ⑨ ⑩

- ① Flange size:60mm、80mm、90mm、110mm、130mm、180mm
- ② AC synchronization servo motor
- ③ Feedback element:M: Optical-electricity encoder X:Rotary encoder
- ④ Rated torque:(x 0.1NM)
- ⑤ Rated speed: (x 100RPM)
- ⑥ Driver matched voltage: L:AC220V H:AC380V
- ⑦ Encoder type:
 F:Combined incremental encoder(2500PPR)
 F1:Saving line incremental encoder(2500PPR)
 F2:Combined incremental encoder(5000PPR)
 E:TAMAGAWA single circle (17bit) bus encoder
 En:NIKON single circle(22bit) bus encoder
 M:TAMAGAWA multi-circle(17/33bit) bus encoder
 M1: TAMAGAWA multi-circle(23/39bit) bus encoder
 Mn: NIKON multi-circle(22/38bit) bus encoder
 Mn1:NIKON multi-circle(24/40bit) bus encoder
- ⑧ Motor basic type
- ⑨ Z: Brake
- ⑩ Inner winding type: No:Distributed winding S:Centralization winding

Servo driver specification



SG - A S 30 A F
 ① ② ③ ④ ⑤ ⑥

SG - 30A	
No.	Output power(KW)
15A	0.2-1.0
20A	0.4-1.5
30A	0.8-2.4
50A	2.0-3.5

Product line

- ① AC servo drive products range
- ② Input voltage: A:AC220V B:AC380V
- ③ Driver axis: S:Single axis D: Double axis
- ④ Power module current: 10:10A 15:15A 30:30A 50:50A 75:75A
- ⑤ Input signal type: A:Pulse B:Analog C:Canopen bus M2:m2 BUS M3:M3 bus
- ⑥ Matched encoder type: F: Incremental optical-electricity encoder
 M:Absolute optical-electricity encoder

Spindle servo motor



204 ZJY 4 3P7 G 15 - M 35 Z
 ① ② ③ ④ ⑤ ⑥ ⑦ ⑧ ⑨

- ① Flange size:204mm、250mm
- ② AC asynchronous spindle servo motor
- ③ Matched voltage: 2:AC220V 4:AC380V
- ④ Rated power: 2P2: 2.2KW 3P7: 3.7KW 5P5: 5.5KW
 7P5: 7.5KW 9P5: 9.5KW 11P: 11KW 15P: 15KW
- ⑤ Encoder type: B:No encoder
 G:1024 PPR optical-electricity encoder
 G1:2500 PPR optical-electricity encoder
- ⑥ Basic speed: 07:750RPM 10:1000RPM 15:1500RPM
- ⑦ Max.Speed: L:3000RPM M:6000RPM H:8000RPM
- ⑧ Installation method: 3:Horizontal installation
 5:Flange installation 35: Horizontal/Flange installation
- ⑨ Z: Brake

Hybrid stepper motor



86 BYG H 3 50 C - X Z
 ① ② ③ ④ ⑤ ⑥ ⑦ ⑧

- ① Flange size:86mm、110mm、130mm、150mm
- ② Hybrid stepper motor
- ③ Matched voltage: L:Low voltage type H: High voltage type
- ④ Motor phase: 2: two-phase stepping 3: three-phase stepping
- ⑤ Number of rotor gear : 50: The number of rotor teeth is 50
- ⑥ Same flange no. Different torque: A,B,C,D,E
- ⑦ Motor structure: No:General type motor
 X:Aluminum case motor S: S1;
- ⑧ Z: Brake